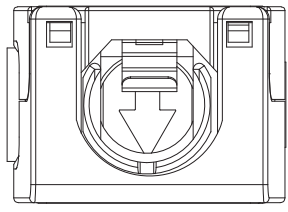
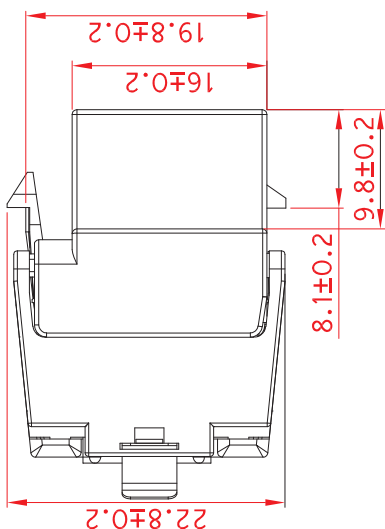
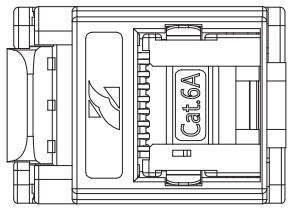
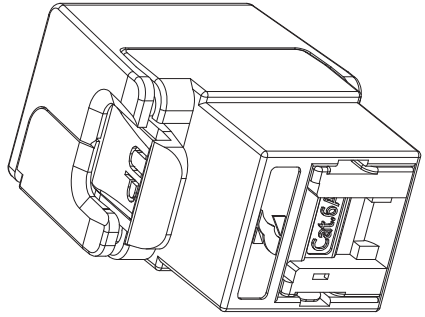
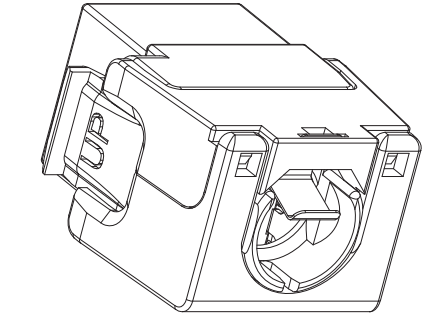
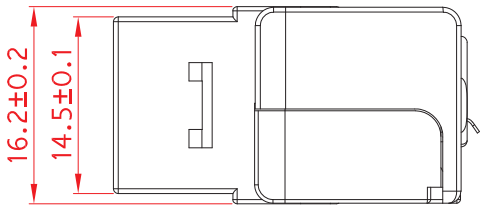
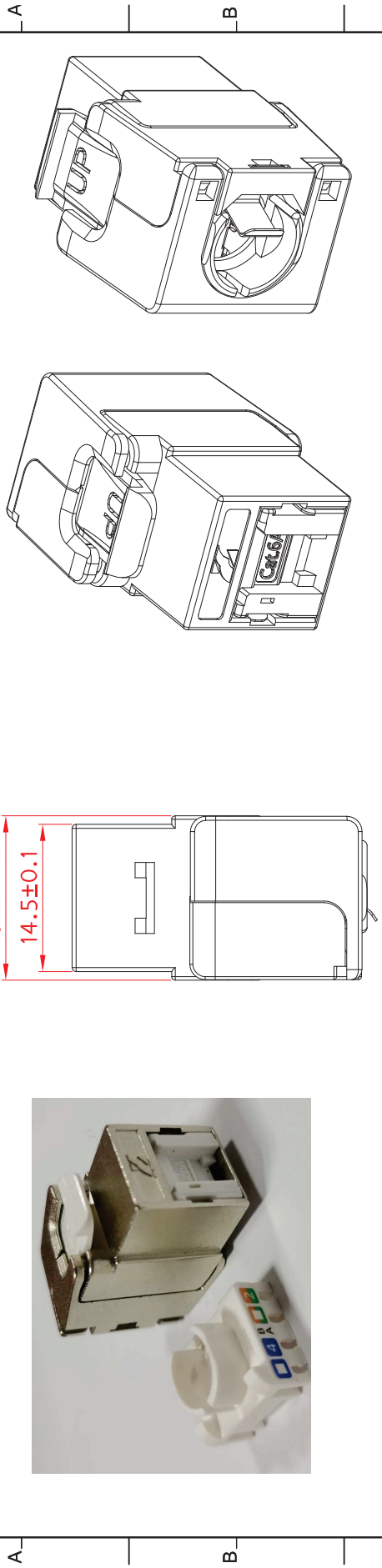


7	REV/ DESCRIPTION	DATE
6		
5		
4		
3		
2		
1		



**Electrical**

- Current Rating: 1.5 Amps
- Insulation Resistance: ≥ 500 MΩ
- Contact Resistance: ≤ 10 mΩ
- DC Resistance: ≤ 0.1 Ω
- DC/AC Volt Endurance : DC1000V/AC750V 1min

**Mechanical**

- Plug Insertion Life ≥ 750 Cycles WITH FCC COMPLIANT RJ-45 PLUG
- Plug & Jack Contact Force ≥ 100 Grams WITH FCC COMPLIANT RJ-45 PLUG
- Plug Retention Force: ≥ 11 lbf
- DURABILITY : 200 TERMINATION CYCLES
- OPERATING TEMPERATURE : -10~60°C
- OPERATING HUMIDITY : 10%~90%RH
- STORAGE TEMPERATURE : -40°C TO 68°C

**Physicals**

- Housing: Zinc Die-Casting with high quality Nickel plating
- Plastic Parts: High quality engineering plastic
- PCB: FR-4, 1.2mm Thickness
- Jack Wire: 0.35 mm Phosphor bronze 500μgold over nickel plating
- IDC CONDUCTOR : 0.5mm Phosphor bronze, tin-plating
- CONTACT COMPATIBILITY : ACCOMMODATES 26 TO 23AWG SOLID

**Standards Verification**

- ANSI/TIA-568.2-D ;
- ISO/IEC 11801-1;
- IEC 60603-7 COMPLIANT ;
- RoHS directive 2002/95/EC compliant

		APPROVED BY	DATE
TOLERANCES UNLESS SPECIFIED X. ± 1 .X ± 0.1 .XX ± 0.05 .XXX ± 0.010 DIMENSIONS mm		Donghua.Ni	2021/11/4
THIRD ANGLE PROJECTION 		CHECKED BY	DATE
		Fang.He	2021/11/4
		DRAWN BY	DATE
		Yaoliang.Meng	2021/11/4
		CUSTOMER DRAWING	
		SCALE	N/A
		SHEET	1 OF 1
		REV	A/01
		SIZE	A4

THE INFORMATION CONTAINED IN THIS DRAWING IS THE SOLE PROPERTY OF PALM CONNECTIVITY PRODUCTS (AN ITC-USA BRAND) AND SHOULD NOT BE USED OR COPIED WITHOUT WRITTEN PERMISSION.